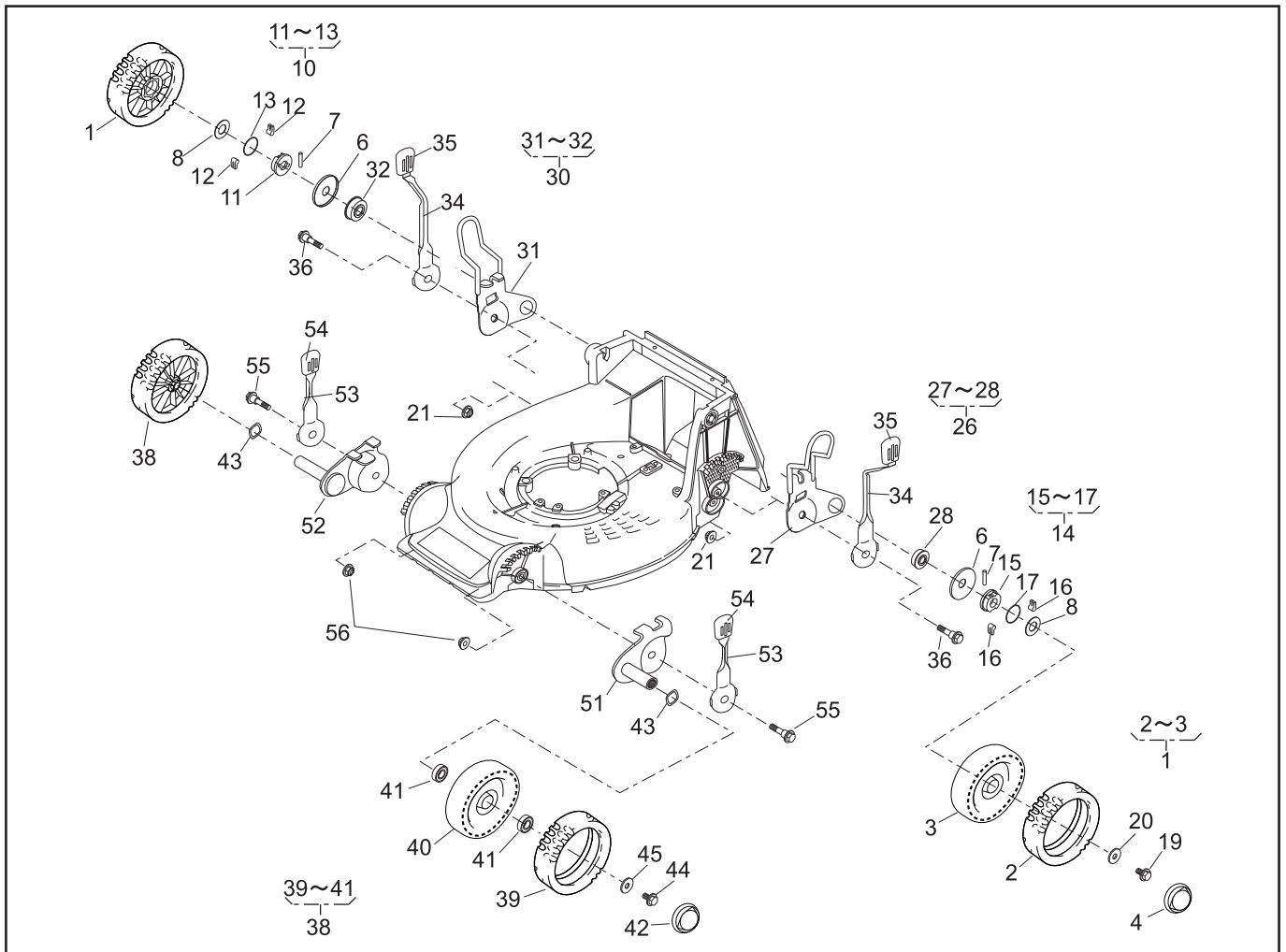




TOSAERBA SARP

SLM-4851KX 2007

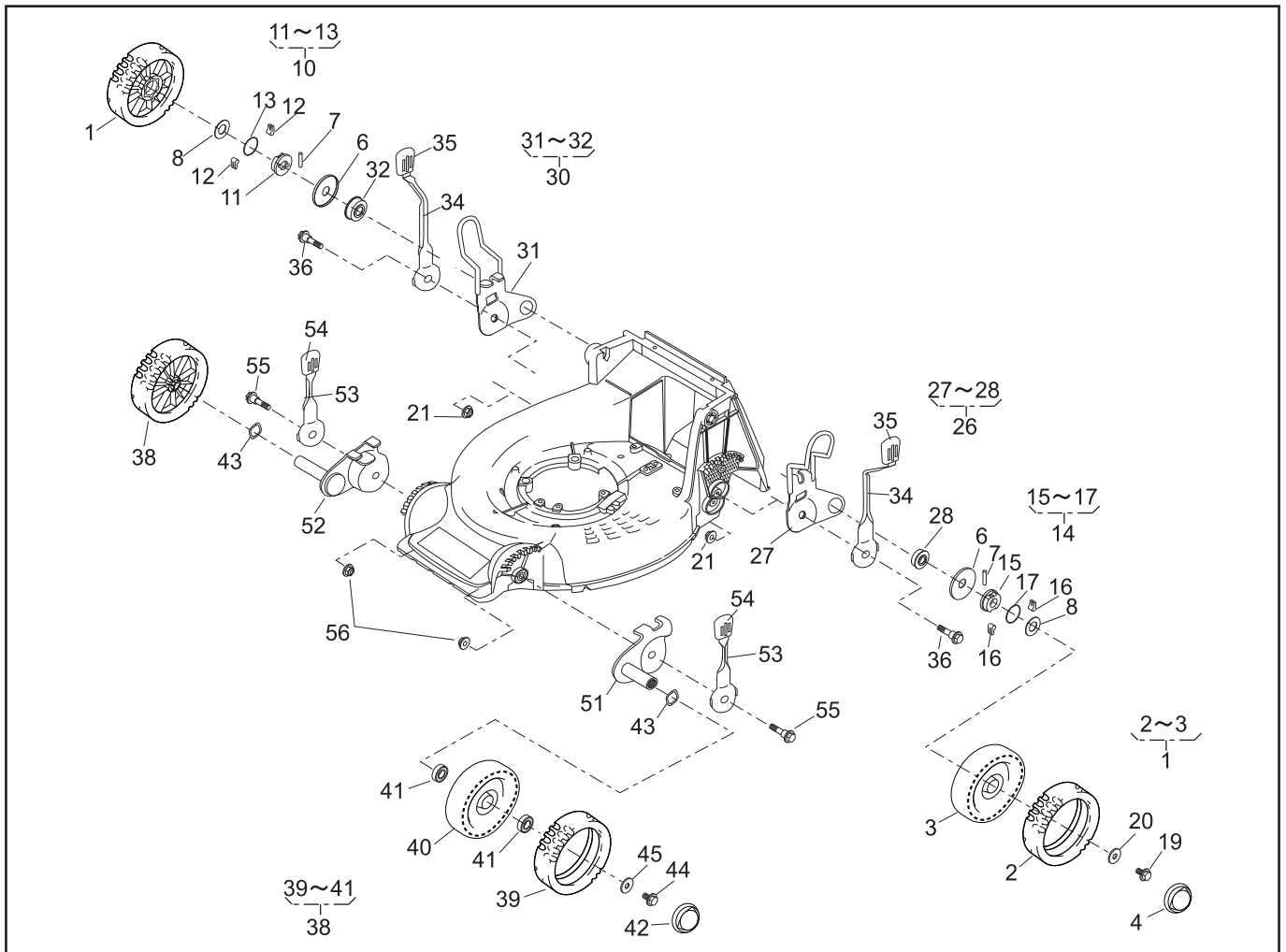
ESPLOSO RICAMBI



PARTS LIST

46014-369-00

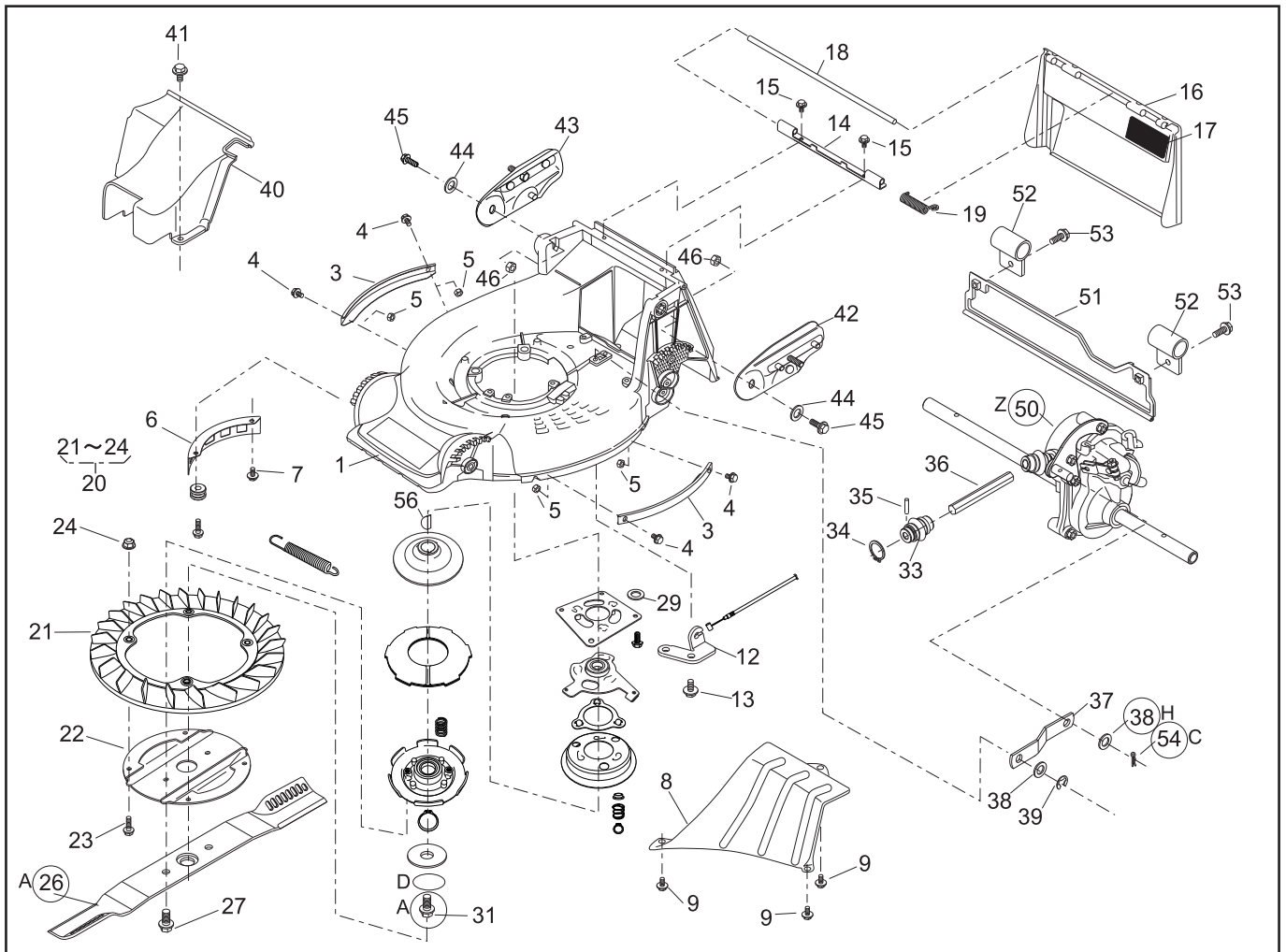
REF. No.	PARTS No.	PARTS NAME	WHEEL			1/2	RECOMM.(%) Lot.100	14. Apr. 2006	REMARKS
			Q'TY	PRICE()					
1	71041 112	WHEEL ASSY(R)	2						
2	91086 106	TIRE	2						
3	36107 101	WHEEL	2						
4	36070 110	CAP	2						
5									
6	61003 112	THRUST PLATE	2						
7	31034 137	PIN	2						
8	68036 146	WASHER	2						
9									
10	71158 101	RATCHET ASSY(RR)	1						
11	11102 138	HOLDER	1						
12	31034 170	PIN	2						
13	68013 266	SPRING	1						
14	71158 102	RATCHET ASSY(RL)	1						
15	11102 138	HOLDER	1						
16	31034 170	PIN	2						
17	68013 266	SPRING	1						
18									
19	31057 181	HEXAGON BOLT	2						
20	68036 101	WASHER	2						
21	569L 0800	FLANGE NYLON NUT	2						
22									
23									
24									
25									
26	71122 101	ADJUSTER ASSY(RL)	1						
27	11142 104	ADJUSTER	1						
28	945L 0349	BEARING	1						



PARTS LIST

46014-369-00

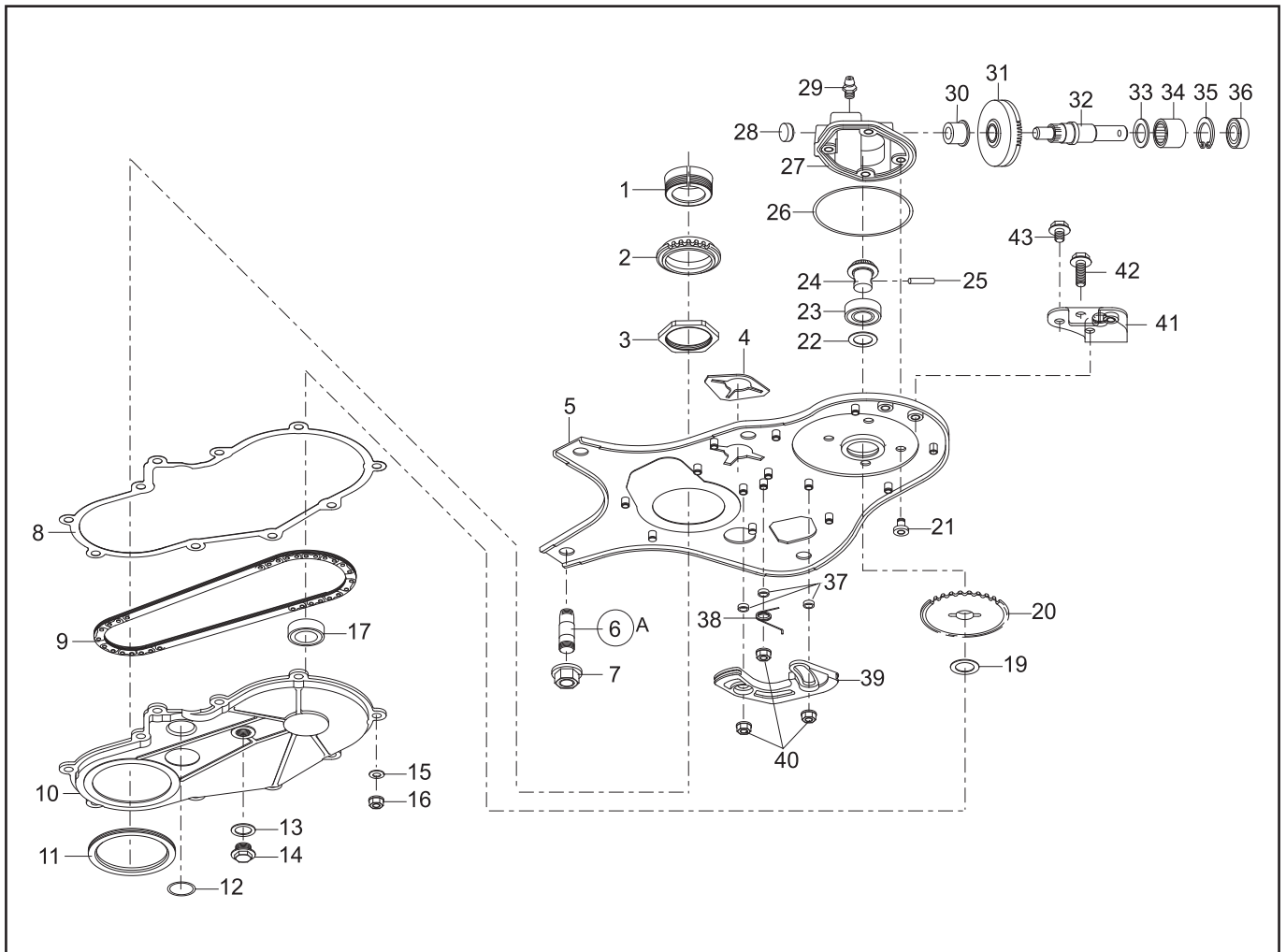
REF. No.	PARTS No.	PARTS NAME	WHEEL			PRICE()	2/2	RECOMM.(%) Lot.100	14. Apr. 2006	REMARKS
			Q'TY	INCLUDING						
29										
30	71122 102	ADJUSTER ASSY(RR)	1							
31	11142 105	ADJUSTER	1							
32	945L 0349	BEARING	1							
33										
34	11150 102 09	ADJUST LEVER(R)	2							
35	36061 121	KNOB	2							
36	31057 260	HEXAGON BOLT	2							
37										
38	71041 103	WHEEL ASSY(F)	2							
39	91086 102	TIRE	2							
40	36107 102	WHEEL	2							
41	932L 0696	BEARING		4						
42	36070 110	CAP	2							
43	664V 0626	WAVE SPRING WASHER	2							
44	31057 181	HEXAGON BOLT	2							
45	68036 101	WASHER	2							
46										
47										
48										
49										
50										
51	11142 112	ADJUSTER(FL)	1							
52	11142 113	ADJUSTER(FR)	1							
53	11150 107 09	ADJUST LEVER(F)	2							
54	36061 121	KNOB	2							
55	31057 260	HEXAGON BOLT	2							
56	569L 0800	FLANGE NYLON NUT	2							



PARTS LIST

P/L No. 46014-372-02

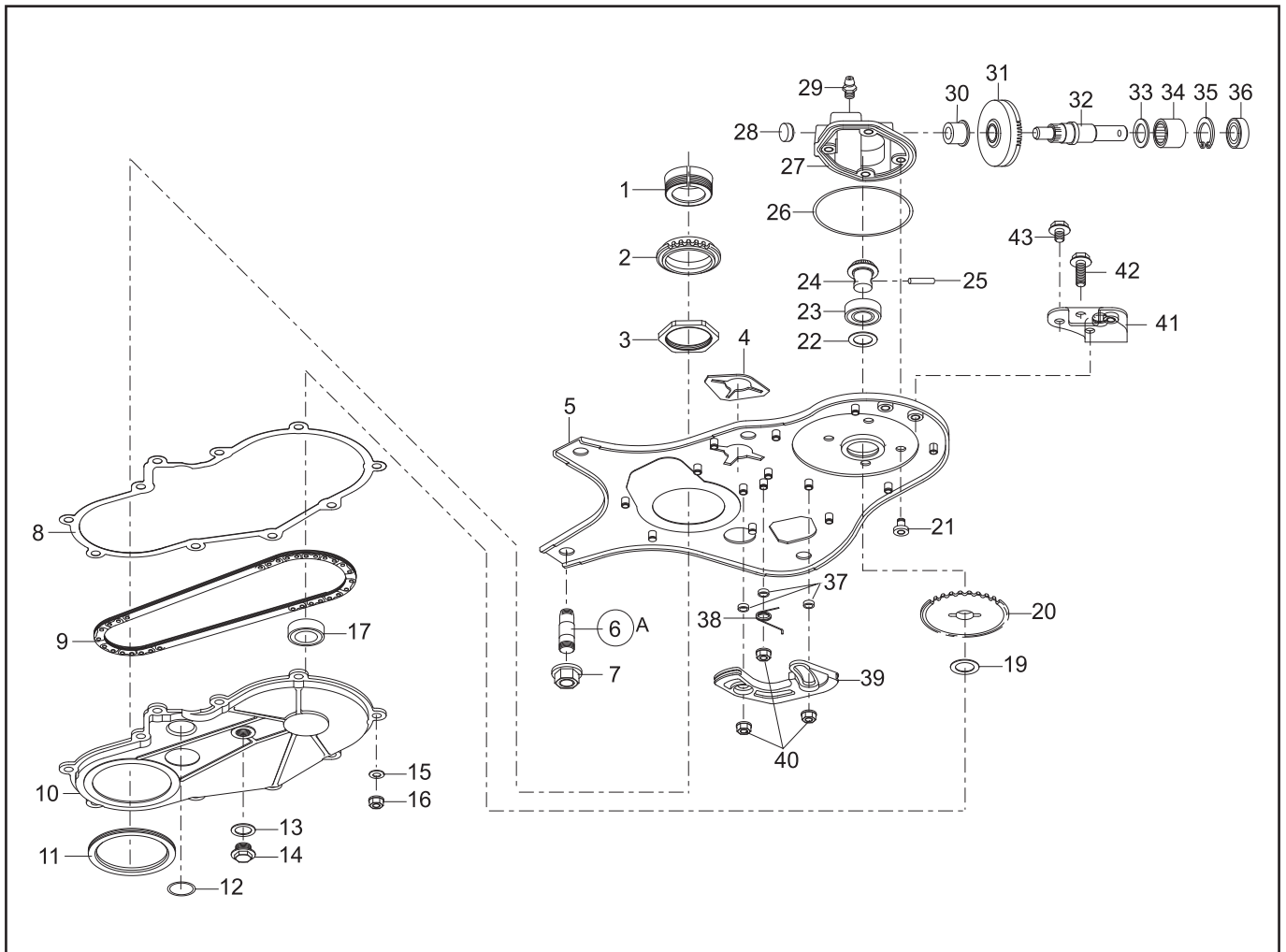
NOTE	REF. No.	PARTS No.	PARTS NAME	GRASS-CUTTING		2/2	Dec. 26. 2006
				Q'TY INCLUDING	PRICE()		
	29	68036 292	WASHER	4			
	30	71067 116	BRAKE ASSY	1			
A	31	31057 272	HEXAGON BOLT	1			
D	32						
	33	91097 101	UNIVERSAL JOINT	1			
	34	812V 2000	C-SNAP RING FOR SHAFT	1			
	35	717B 0418	PARALLEL PIN	1			
	36	64014 372	SHAFT	1			
H	37	91049 136	CONNECTOR	1			
	38	68036 280	WASHER	2			
	39	816V 0800	E-SNAP RING	1			
	40	36065 455	COVER	1			
	41	335L 0616	FLANGE BOLT	1			
	42	51116 145	HANDLE BRACKET(L)	1			
	43	51116 146	HANDLE BRACKET(R)	1			
	44	68036 101	WASHER	2			
	45	312M 0830	BOLT	2			
	46	512L 0800	HEXAGON NUT	2			
	47						
	48						
	49						
Z	50	71008 326	GEAR CASE ASSY	1			
	51	36046 122	SAFETY GUARD	1			
	52	11012 126	HANGER BAND	2			
	53	335L 0616	FLANGE BOLT	2			
C	54	733L 1000	SNAP PIN	1			
	55	122048	ENGINE:KAWASAKI FJ151V-AC50	1			
	56	96007 183	KEY	1			



PARTS LIST

P/L No. 46014-388-01

NOTE	REF. No.	PARTS No.	PARTS NAME	Drive Shaft Unit		1/2	Dec. 26. 2006	REMARKS
				Q'TY INCLUDING	PRICE()			
	1	51113 120	RING	1				
	2	36112 146	SPROCKET	1				
	3	31058 173	HEXAGON NUT	1				
	4	61019 232	PACKING	1				
	5	11137 132	BASE C.P.	1				
A	6	31039 141	STUD	4				
	7	579L 1000	FLANGE NUT	4				
	8	61019 233	PACKING	1				
	9	91074 136	CHAIN	1				
	10	51141 102	CHAIN CASE	1				
	11	76007 196	BUSH	1				
	12	214B 1600	O-RING	1				
	13	68001 110	FIBER WASHER	1				
	14	31057 262	HEXAGON BOLT	1				
	15	68062 112	CONED DISC SPRING	11				
	16	579L 0500	FLANGE NUT	11				
	17	913B 6901	BEARING	1				
	18							
	19	68036 291	WASHER	1				
	20	36112 145	SPROCKET	1				
	21	31062 177	PRE-COAT LOCK BOLT	4				
	22	68036 291	WASHER	1				
	23	916B 6901	BEARING	1				
	24	78002 207	BEVEL PINION	1				
	25	31034 192	PIN	1				
	26	214B 6300	O-RING	1				
	27	51001 301	GEAR CASE	1				
	28	91033 140	BLIND COVER	1				

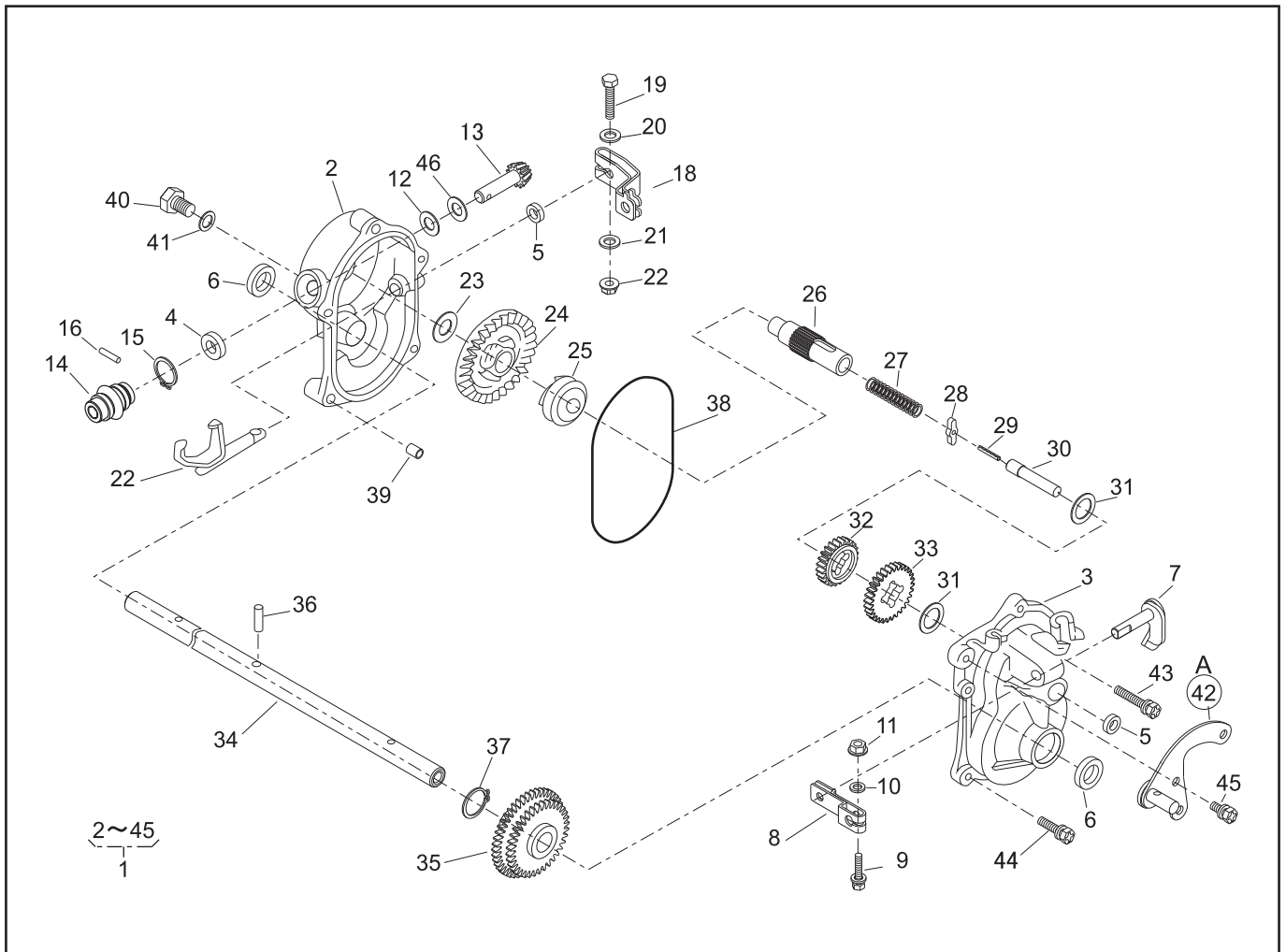


PARTS LIST

P/L No. 46014-388-01

NOTE

REF. No.	PARTS No.	PARTS NAME	Drive Shaft Unit			2/2	Dec. 26. 2006
			Q'TY INCLUDING	PRICE()	RECOMM.(%) Lot.100	REMARKS	
29	91031 102	GREASE NIPPLE	1				
30	76007 194	BUSH	1				
31	78001 171	BEVEL GEAR	1				
32	64001 188	SPLINE SHAFT	1				
33	68036 291	WASHER	1				
34	937B 121912	BEARING	1				
35	811V 2000	C-SNAP RING	1				
36	61002 202	OIL SEAL	1				
37	76007 195	BUSH	3				
38	68013 388	SPRING	1				
39	51104 159	GUIDE	1				
40	579L 0500	FLANGE NUT	3				
41	11006 163	STAY C.P.	1				
42	342L 0630	FLANGE BOLT TAPPING	1				
43	335L 0612	FLANGE BOLT	2				
44							
45							
46							
47							
48							
49							
50							
51							
52							
53							
54							
55							
56							



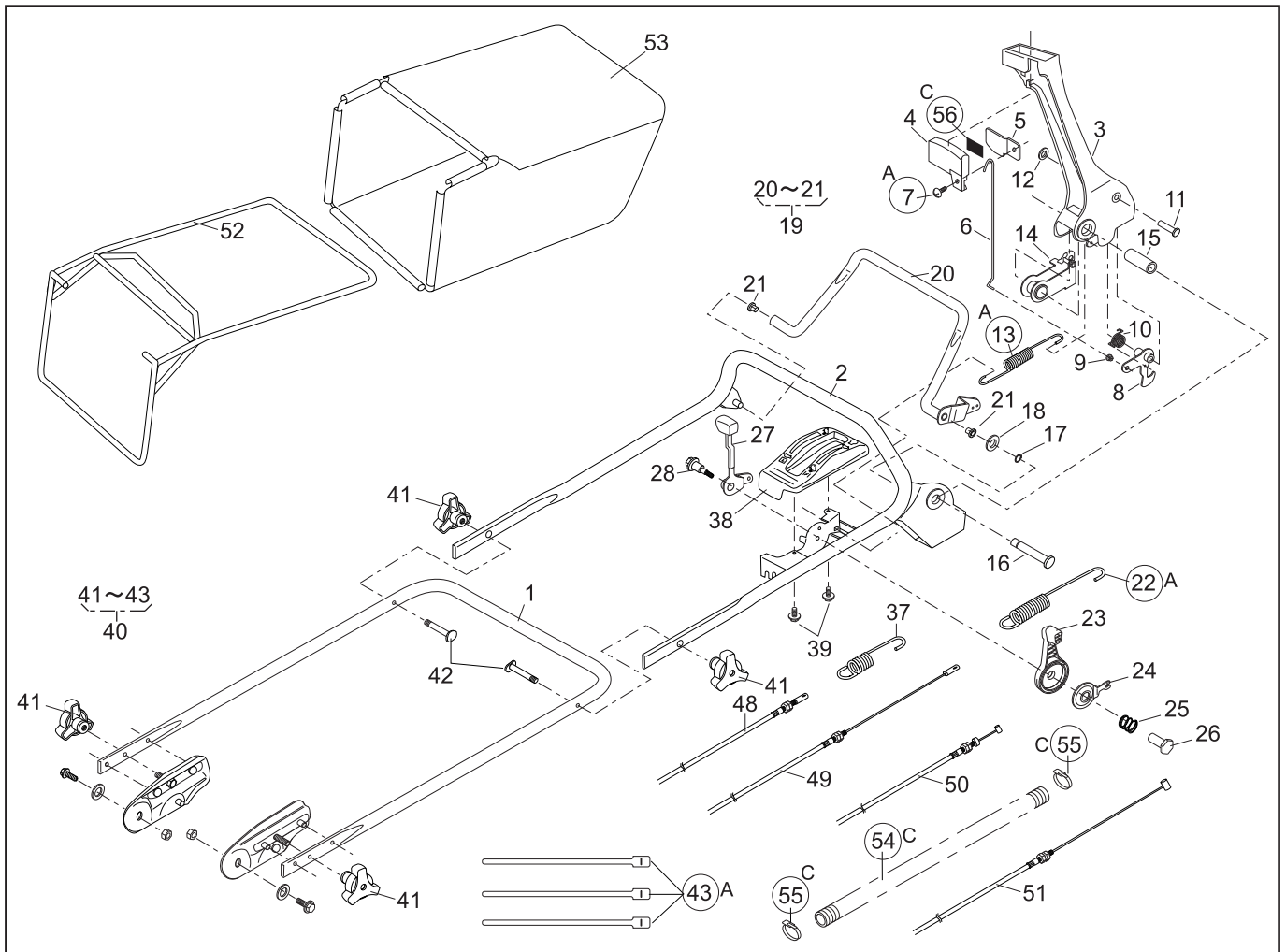
PARTS LIST

GEAR CASE ASSY (71008-326)

46014-307-01

NOTE

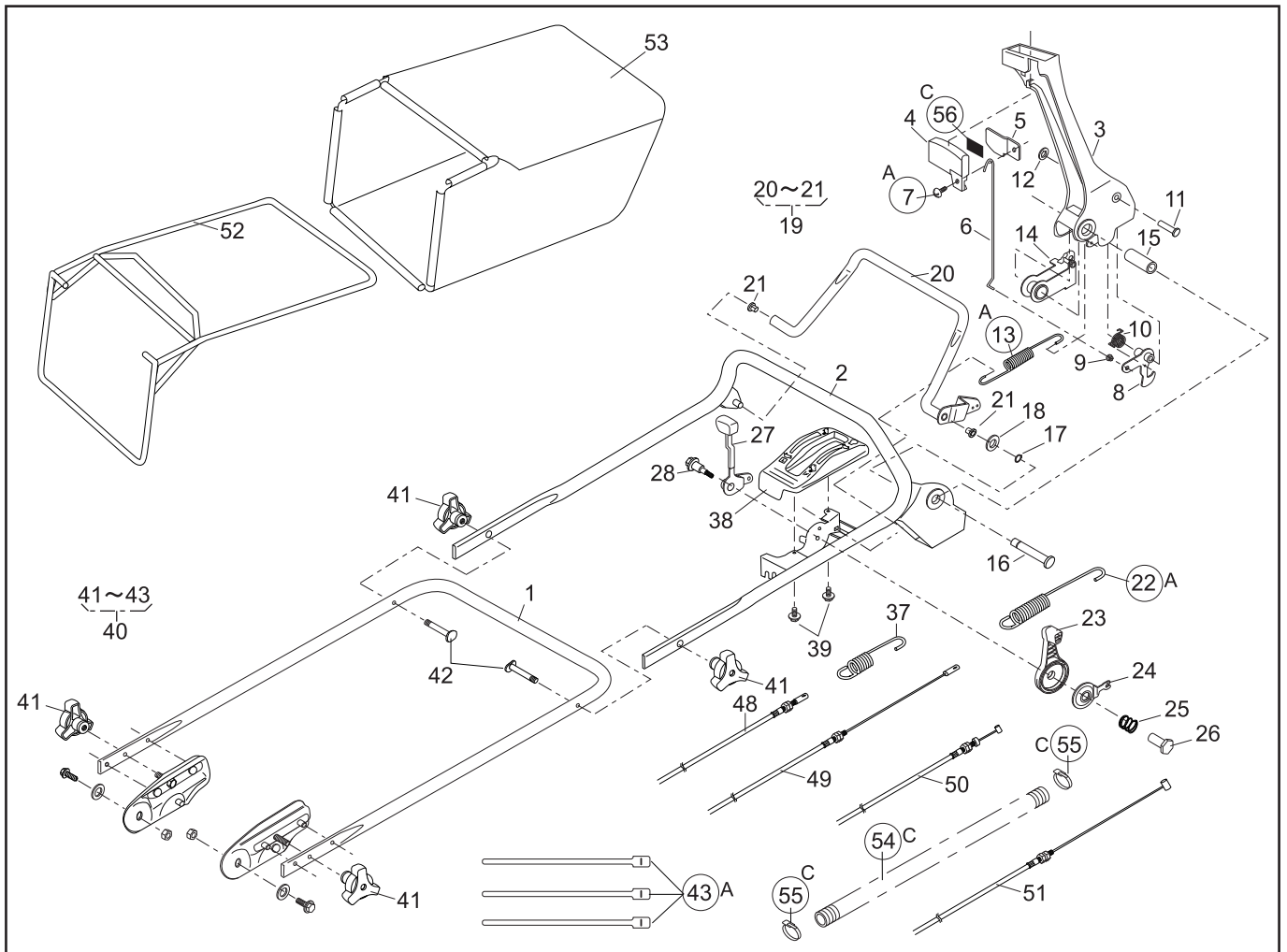
REF. No.	PARTS No.	PARTS NAME	GEAR CASE			1/2	RECOMM.(%) Lot.100	REMARKS
			Q'TY	PRICE()				
1	71008 326	GEAR CASE ASSY	1			-		
2	51001 195	GEAR CASE	1			3		
3	51001 196	GEAR CASE	1			3		
4	61002 161	OIL SEAL	1			5	SD 10 20 5	
5	61002 162	OIL SEAL	2			5	SD 8 14 4	
6	61002 163	OIL SEAL	2			5	SD 15 24 5	
7	64024 104	THIFTER SHAFT	1			3		
8	11104 119	ARM	1			3		
9	320L 0525	HEXAGON BOLT(PW)	1			3	M5 × 25	
10	611L 0500	PLAIN WASHER	1			3	M5	
11	571L 0500	FLANGE NUT	1			3	M5	
12	61003 109	THRUST PLATE	1			5		
13	78003 130	PINION	1			3		
14	91097 101	UNIVERSAL JOINT	1			3		
15	812V 2000	C-SNAP RING FOR SHAFT		1		1	φ 20	
16	717B 0418	PARALLEL PIN		1		3	φ 4 × 18	
17	11097 106	SHIFTER FORK	1			3		
18	11104 137	ARM	1			3		
19	311M 0630	(+)HEXAGON BOLT	1			3	M6 × 30	
20	611L 0600	PLAIN WASHER	1			3	M6	
21	613L 0600	PLAIN WASHER	1			3	M6	
22	571L 0600	FLANGE NUT	1			3	M6	
23	61024 117	SPACER	1			5		
24	78001 162	BEVEL GEAR	1			3		
25	11129 107	CLUTCH	1			3		
26	64014 236	SHAFT	1			3		
27	68013 262	SPRING	1			3		



PARTS LIST

P/L No. 46014-380-02

NOTE	REF. No.	PARTS No.	PARTS NAME	HANDLE		1/2	RECOMM.(%) Lot.100	Dec. 26. 2006	REMARKS
				Q'TY	PRICE()				
				INCLUDING					
	1	51027 146	HANDLE	1					
	2	51027 255	HANDLE	1					
	3	11095 172	LEVER(BBC)	1					
	4	36110 102	BUTTON	1					
	5	11049 109	SLIDE PLATE	1					
A	6	64014 336	SHAFT	1					
	7	376L 0612	(+)TAPPING SCREW	1					
	8	71203 135	ARM C.P.	1					
	9	76007 183	BUSH	1					
	10	68013 371	SPRING	1					
	11	31056 127	GIB-HEADED PIN	1					
A	12	576V 0600	PUSH NUT	1					
	13	68013 392	SPRING	1					
	14	11109 111	LINK	1					
	15	61023 190	SLEEVE	1					
	16	64014 337	SHAFT	1					
	17	812V 0800	C-SNAP RING FOR SHAFT	1					
	18	613L 0800	WASHER	1					
	19	71161 114 09	LEVER ASSY	1					
	20		LEVER	1					
	21	76007 131	BUSH	2					
A	22	68013 391	SPRING	1					
	23	91010 194	THROTTLE LEVER(FJ151V)	1					
	24	61003 113	THRUST PLATE	1					
	25	68013 356	SPRING	1					
	26	31058 168	NUT	1					
	27	11095 117	LEVER	1					
	28	31062 109	PRE-COAT LOCK BOLT	1					



PARTS LIST

P/L No. 46014-380-02

NOTE	REF. No.	PARTS No.	PARTS NAME	HANDLE		2/2	Dec. 26. 2006
				Q'TY INCLUDING	PRICE()		
	29						
	30						
	31						
	32						
	33						
	34						
	35						
	36						
	37	68013 161	SPRING	1			
	38	71900 796	COVER ASSY	1			
	39	470L 0514	(+)TAPPING SCREW	2			
	40	71052 119	BOLT SET	1			
	41	36061 118	KNOB	4			
	42	31057 134	BOLT	2			
A	43	68028 118	WIRE BAND	3			
	44						
	45						
	46						
	47						
	48	91003 125	CONTROL CABLE	1			
	49	91003 170	CONTROL CABLE	1			
	50	91001 337	THROTTLE WIRE(FJ151V)	1			
	51	91003 177	CONTROL CABLE(BBC)	1			
	52	11062 174	FRAME C.P.	1			
	53	36098 137	GRASS BAG C.P.(Black)	1			
C	54	41003 201	TUBE (15.6x800L)	1			
C	55	68028 119	WIRE BAND	2			
C	56	36080 156	RUBBER SHEET	1			